

### ■ 3D CAD

Software
CATIA
UNIGRAPHICS
FIDES
AUTO CAD
SOLID WORKS

\* For additional formats, please log on to the SMC web site [www.smcusa.com](http://www.smcusa.com) and click on the E-Tech icon.

### ■ Series Variations

Series	<b>CKZ2N</b>		
Bore size (mm)	ø50 Equivalent	ø63 Equivalent	ø80 Equivalent
Arm opening angle	30°, 45°, 60°, 75° 90°, 105°, 120°, 135°		
Switch	TURCK/P&F		
Port thread type	G/NPT		

# Series CKZ2N

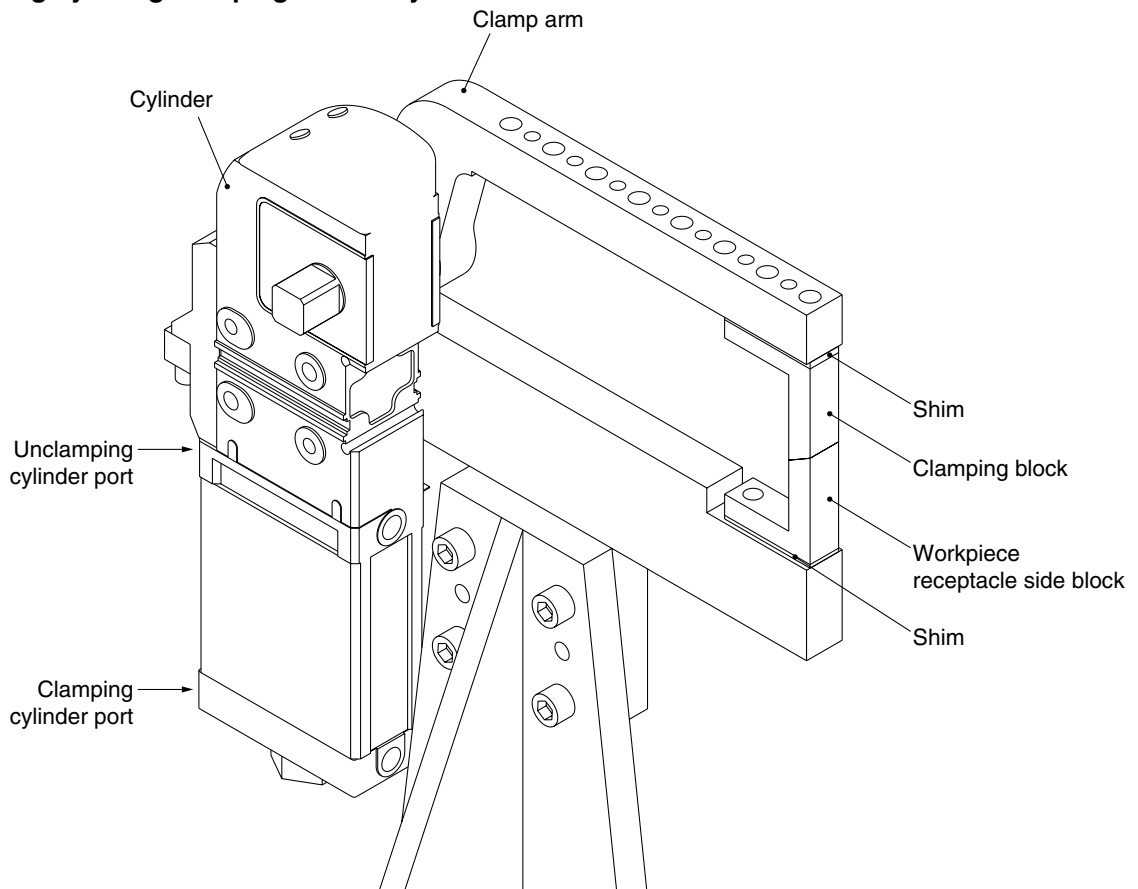
## Model Selection

### 1 Common precautions for each size

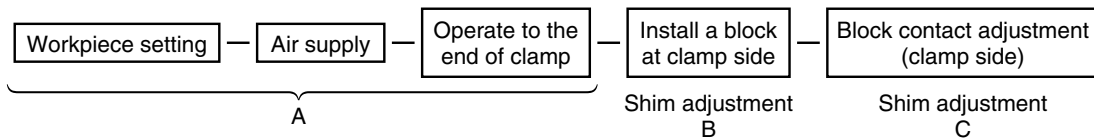
- 1) Use air filtered through a 5- $\mu$ m-element filter.
- 2) Before piping is connected to the slim-line power clamp cylinder it should be thoroughly flushed with air.
- 3) Only use the clamp arm in our catalog. Do not weld an arm to the cylinder.
- 4) Make sure to use a speed controller and adjust it to more than 1sec. when changing from clamping to unclamping (or vice versa).

### 2 Slim-line power clamp cylinder mounting

When clamping by using clamping force only  
Example)



#### Mounting process



#### Procedure

- A) Place the workpiece, supply air at clamp side without installing clamping block, operate the clamp arm to the end of clamp.
- B) Under the above conditions, adjust shim so that the space between the workpiece and the clamping block is about 0 mm. Theoretically there is no clamping force for holding a workpiece under this condition.
- C) In order to generate clamping force from the state described in step B, insert additional shim. The thickness of the shim differs depending on the arm length and pressure, so please refer to the graph on page 158 as a guide. About 10% error may occur due to the difference in tolerance of the power clamp cylinder body.

For Asia: CK□1, CLK2, C(L)KQ□, MK2T/MK2/MK  
 For North America: CKZ2N  
 For Europe: CKZT  
 For France: CLKZ1R  
 Special: CK□/M(D)UKA

# Model Selection

## 2 Slim-line power clamp cylinder mounting

### Relation between shim thickness and clamping force

Note) When a shim that exceeds the clamping force peak plotted on the graph is inserted, the self-locking mechanism doesn't work. Insert a shim with appropriate thickness.

\* Arm length "L" indicates the distance between the clamp arm shaft and the clamping position. For distance "A" between knock positioning pinhole and clamp arm shaft, refer to the Table 1.

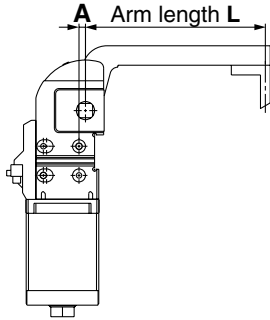
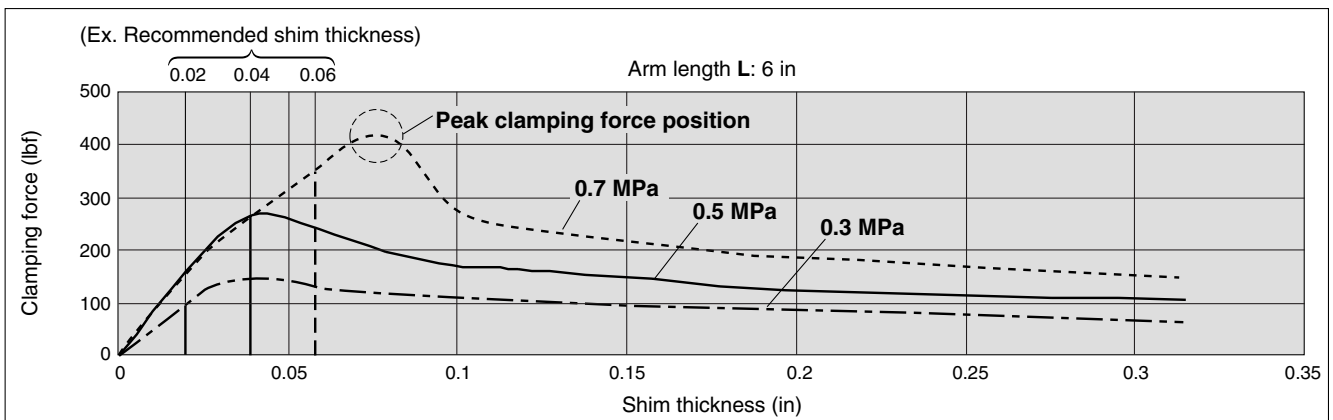
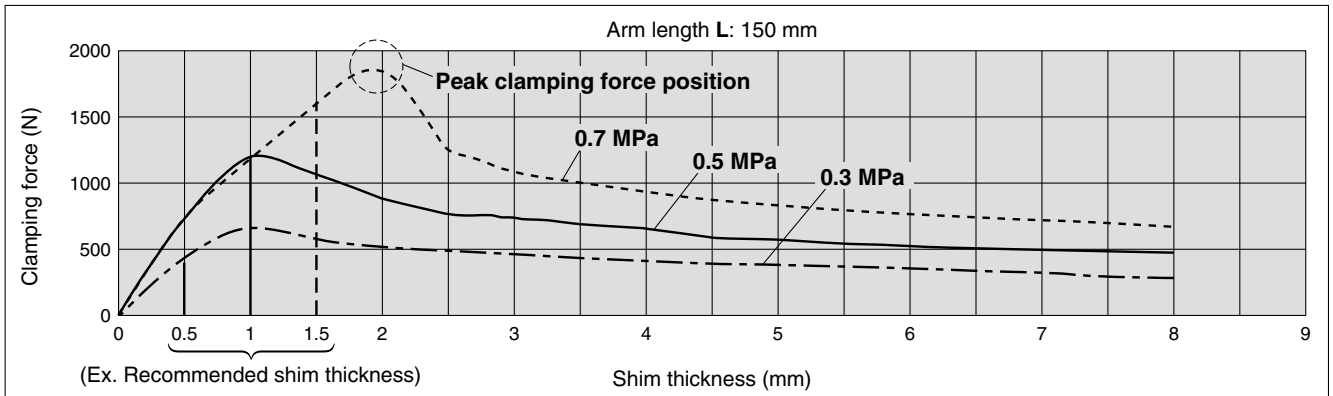


Table 1

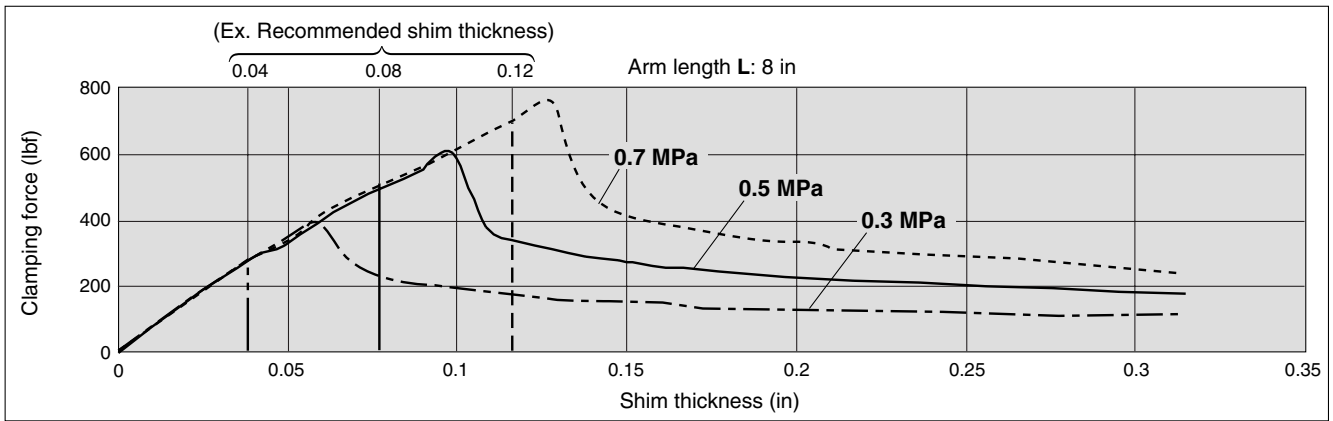
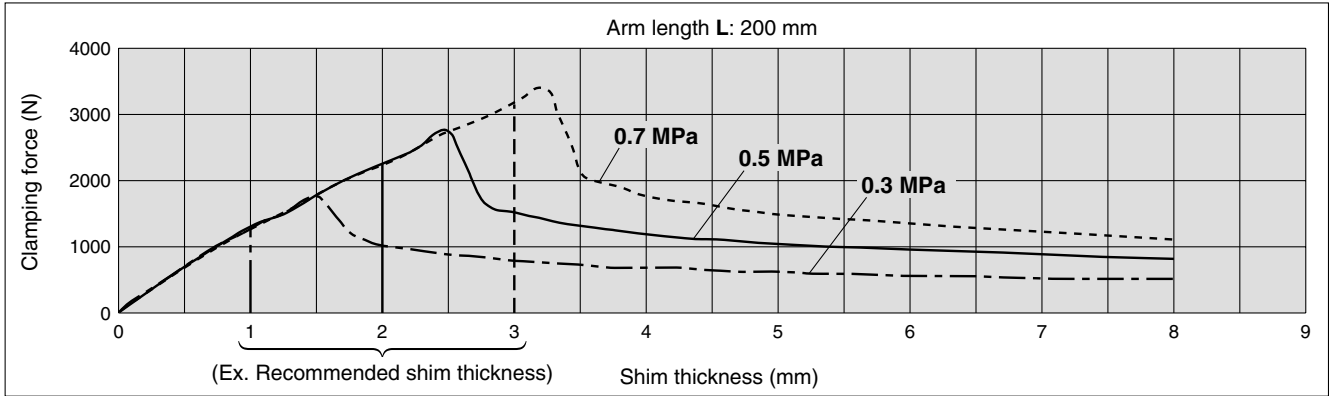
Model	A
CKZ2N50	5
CKZ2N63	10
CKZ2N80	15

ø50

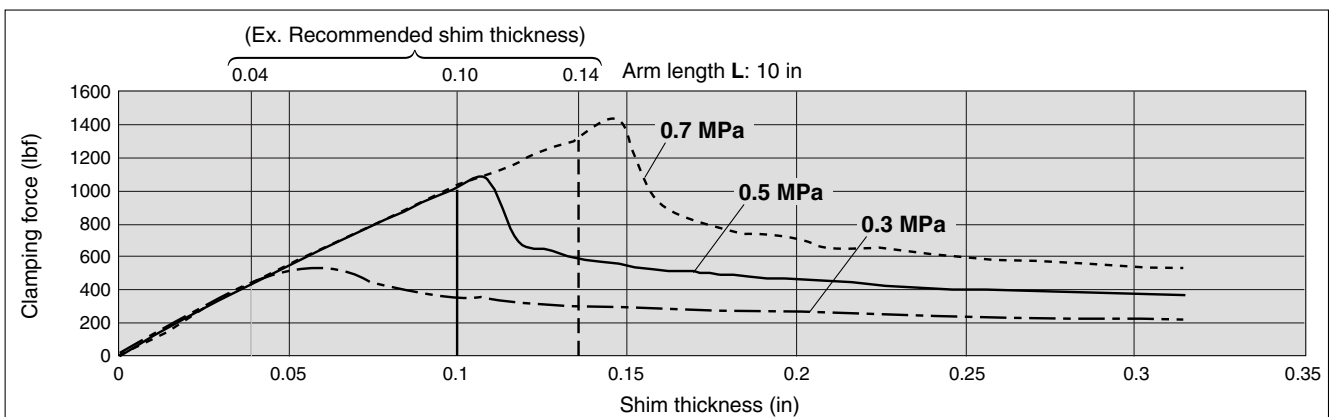
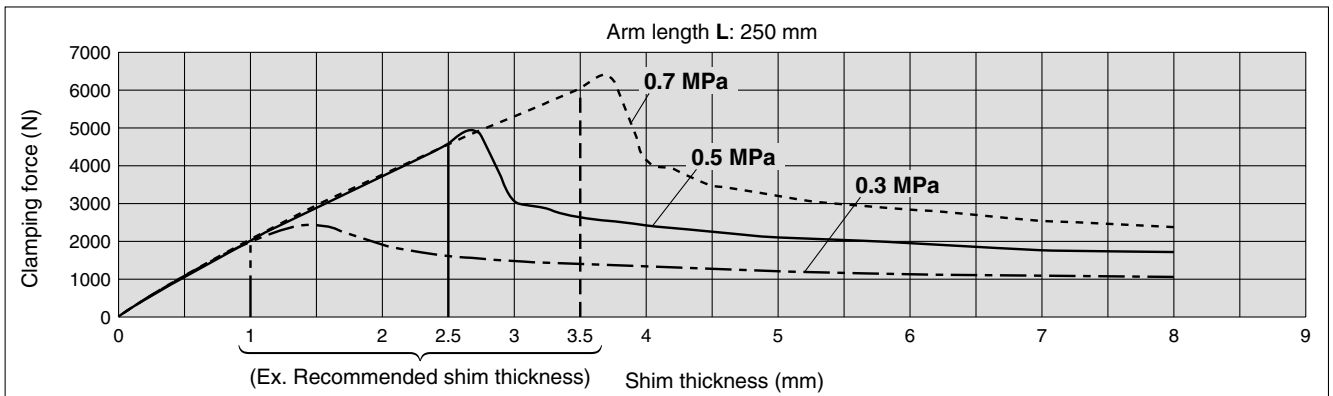


## 2 Slim-line power clamp cylinder mounting

ø63



ø80



CK□1

CLK2

For Asia

C(L)KQ□

MK2T/MK2/MK

For North America

CKZ2N

For Europe

CKZT

For France

CLKZ1R

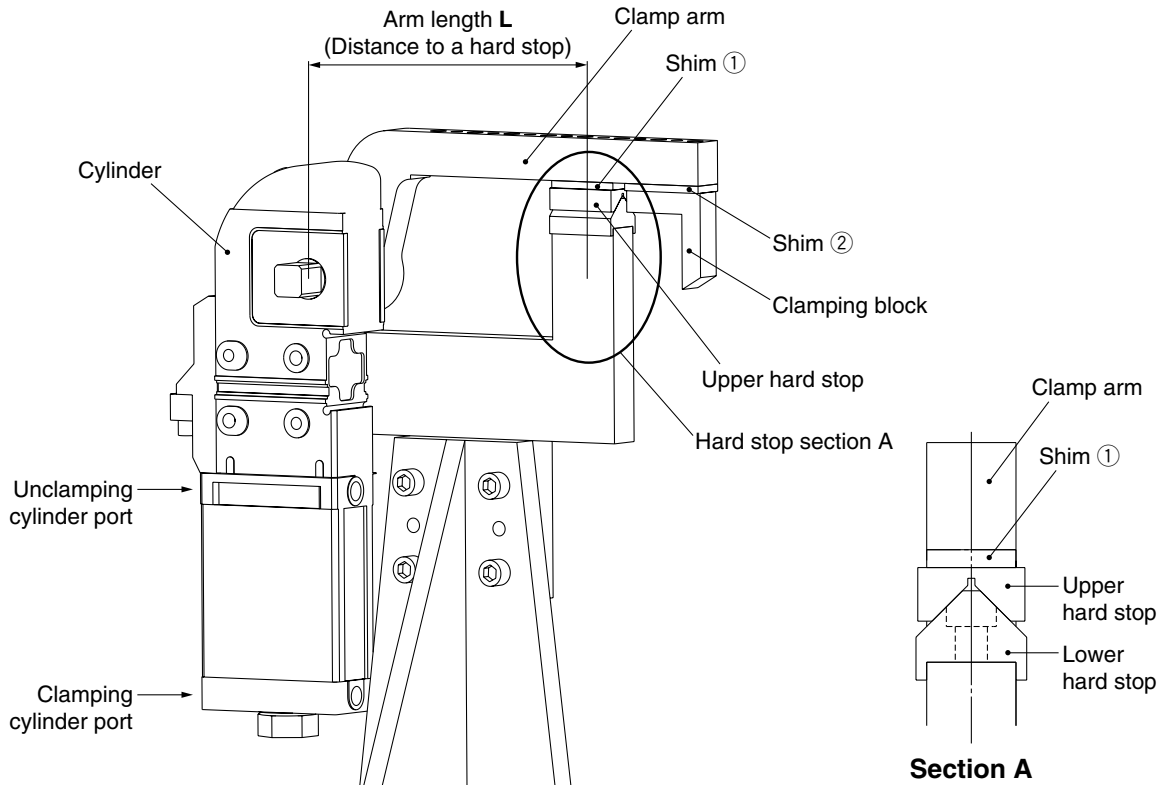
Special

CK□/M(D)UKA

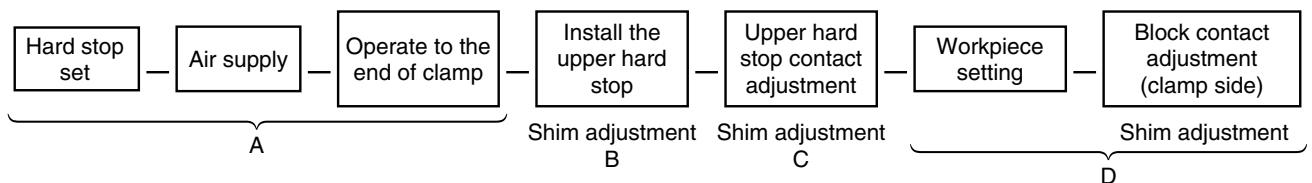
# Model Selection

## 2 Slim-line power clamp cylinder mounting

### When using a hard stop



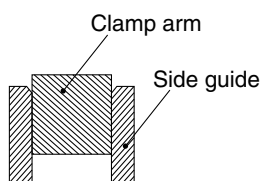
### Mounting process



### Procedure

- Supply air at clamp side without installation of upper hard stop, and operate the clamp arm to the end of clamp.
- Under the above conditions, adjust shim ① so that the space between the upper hard stop and the lower hard stop is about 0 mm. Theoretically there is no clamping force to the lower hard stop under this condition.
- In order to generate clamping force from the state described in step B, insert additional shim. The thickness of the shim differs depending on the arm length and pressure, so please refer to the graph on pages 158 and 159 as a guide. About 10% error may occur due to the difference in tolerance of the power clamp cylinder body.
- Under the state described in step C, adjust shim ② so there is contact between the clamping block and the workpiece.

### When using the side guide



### Precaution

When using the side guide to the clamp arm to prevent lateral motion, make sure not to apply a lateral load or galling to the clamp arm.

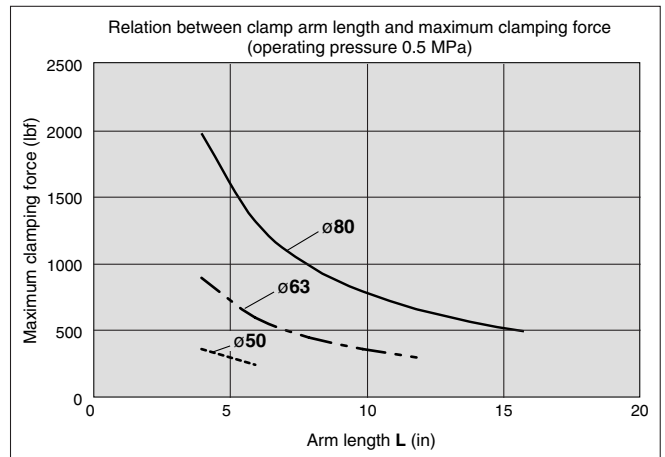
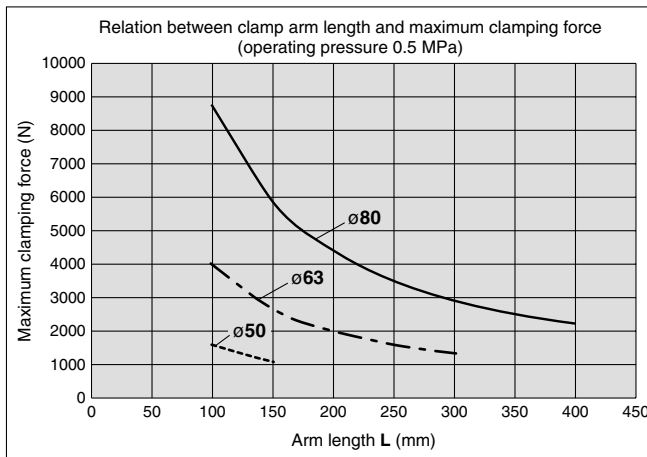
## 3 Clamp arm

Use the clamp arm in the catalog.

The length of the clamp arm "L" should be the length given below or less.

Model	Arm length L
CKZ2N50	150 mm
CKZ2N63	300 mm
CKZ2N80	400 mm

### Relation between clamp arm length and clamping force



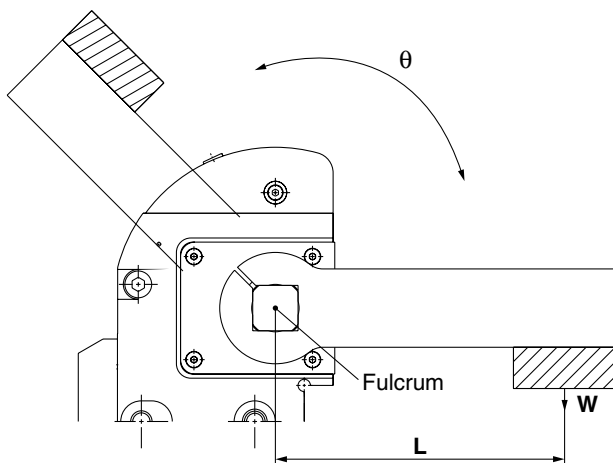
### Allowable load for clamp arm end

Refer to the graph on page 162 for parts weight of the arm.

Note) The value shows parts weight only, it does not include arm weight.

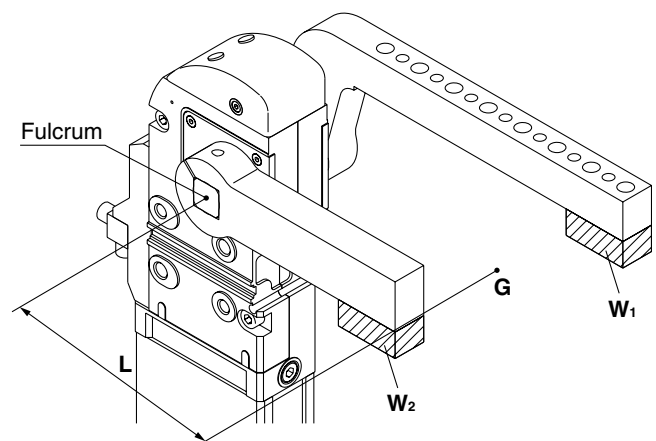
#### Single-side-arm type (R/L)

Use within the allowable arm end load range according to the distance "L" from the fulcrum to the mounting tool's center position and the arm opening angle "θ".



#### Two-side-arm type (D)

Consider the weight of allowable arm end load according to the center position "G" of each arm end load ( $W_1 + W_2$ ), the distance "L" to the fulcrum and the arm opening angle "θ". Use within the allowable range of ( $W_1 + W_2$ ), in this case.

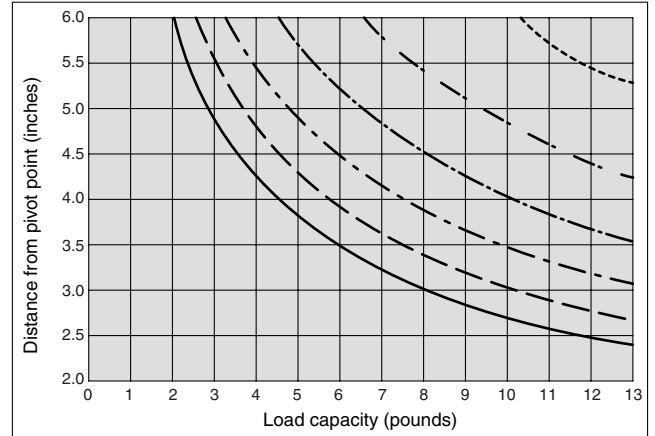
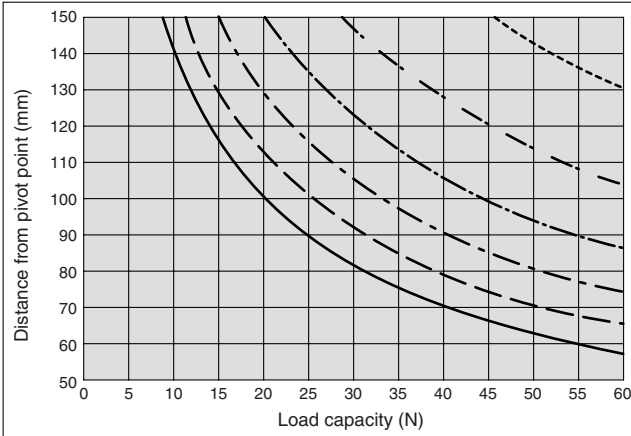


CK□1  
CLK2  
C(L)K□  
MK2T/MK2/MK  
For North America  
CKZ2N  
For Europe  
CKZT  
For France  
CLKZ1R  
Special  
CK□/M(D)UKA

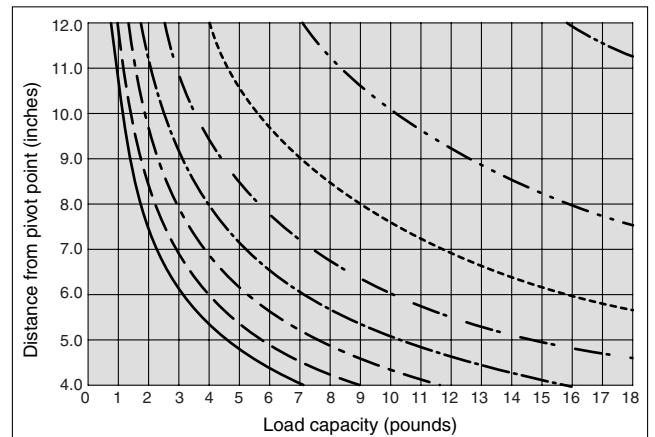
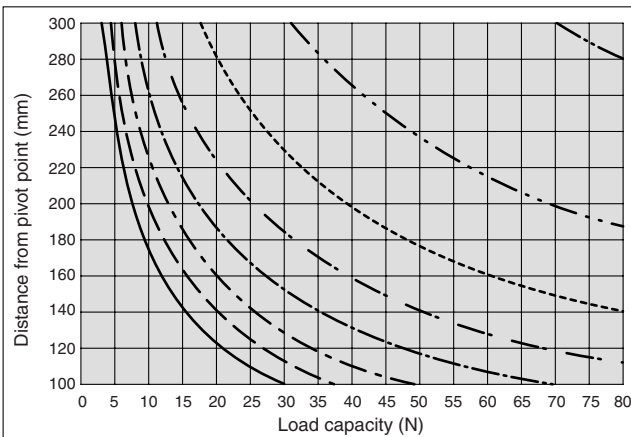
# Model Selection

## 3 Clamp arm

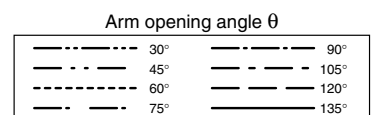
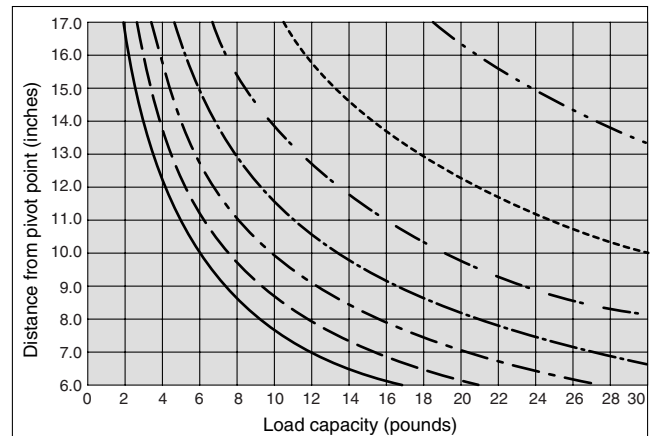
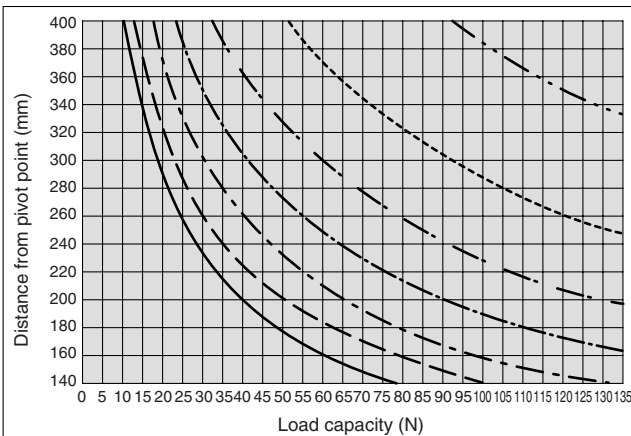
### ø50



### ø63



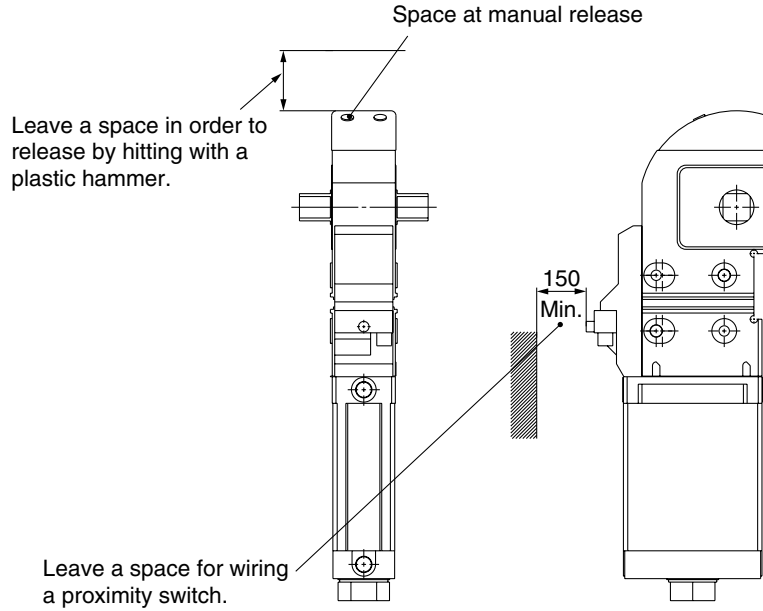
### ø80





## 4 Space in design

Leave a space in the below position.



Special	CK□/M(D)JUKA
For France	CLKZ1R
For Europe	CKZT
For North America	CKZ2N
For Asia	MK2T/MK2/MK C(L)KQ□ CLK2 CK□1

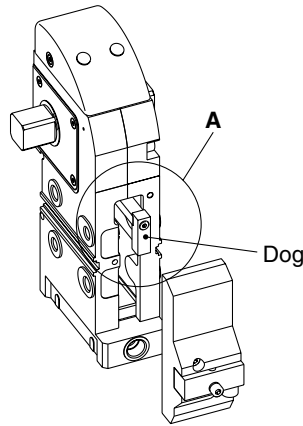
# Model Selection

## 5 Arm opening angle change

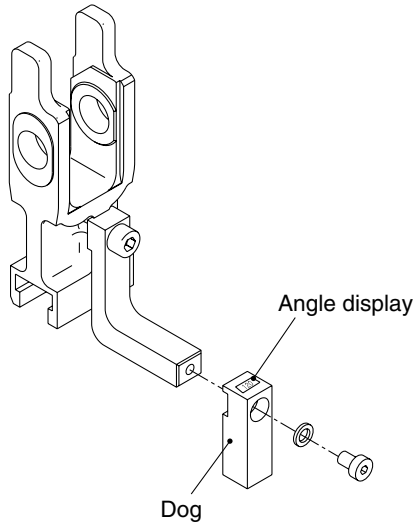
8 types of arm opening angles (unclamping angles) 30°, 45°, 60°, 75°, 90°, 105°, 120° and 135° are available for each standard size.

### Arm opening angle change procedure

- 1) Make sure to completely exhaust the air in the cylinder.
- 2) Remove the switch cassette

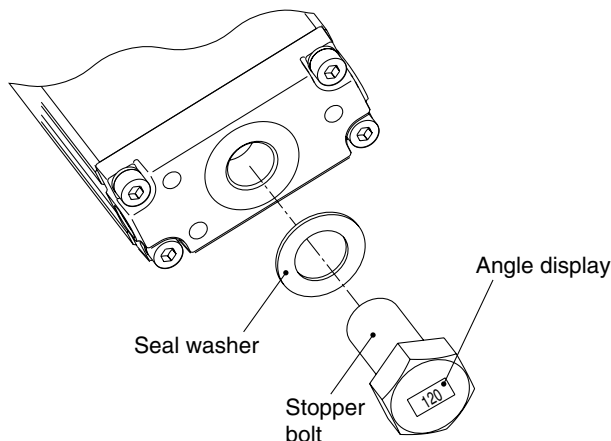


- 3) Remove the dog of the "A" part, and mount a different dog for other angles using the tightening torque below. (Confirm the direction of the angle display.) Then mount the switch cassette using the tightening torque below.



Description	Bore size (mm)	Tightening torque	
		N·m	lbf·in
Dog	50	3.0 to 4.0	27 to 35
	63	3.0 to 4.0	27 to 35
	80	3.0 to 4.0	27 to 35
Switch cassette	50	5.0 to 7.0	44 to 62
	63	5.0 to 7.0	44 to 62
	80	5.0 to 7.0	44 to 62

- 4) Remove the stopper bolt of the head cover, and mount a different stopper bolt for other angles using the tightening torque below. (Confirm the direction of the angle display.)



Description	Bore size (mm)	Tightening torque	
		N·m	lbf·in
Stopper bolt	50	130 to 150	1150 to 1327
	63	160 to 200	1416 to 1770
	80	480 to 520	4248 to 4600

# Power Clamp Cylinder Conforming to the New NAAMS Standard

## Series **CKZ2N**

Ø50, Ø63, Ø80



### How to Order

Clamp Cylinder (Without Arm)

**CKZ2N 63 TF - 120 R T**

Power clamp cylinder conforming to the new NAAMS standard

Bore size

50	Equivalent to 50 mm
63	Equivalent to 63 mm
80	Equivalent to 80 mm

Cylinder port

Nil	NPT
TF	G

Arm opening angle

30	30°
45	45°
60	60°
75	75°
90	90°
105	105°
120	120°
135	135°

Switch type

T	TURCK
P	P&F

Arm mounting position

R	L	D
Right	Left	Both sides

Arm

**CKZ - 63 A002**

Bore size

50	Equivalent to 50 mm
63	Equivalent to 63 mm
80	Equivalent to 80 mm

Arm code

(Refer to page 167 and 171 through to 178.)

- For Asia: CK□1, CLK2, C(L)KQ□, MK2T/MK2/MK
- For North America: CKZ2N
- For Europe: CKZT
- For France: CLKZ1R
- Special: CK□/M(D)UKA

# Series CKZ2N

## Cylinder Specifications

Bore size (mm)	50	60	80
<b>Action</b>	Double acting		
<b>Fluid</b>	Air		
<b>Proof pressure</b>	1.2 MPa (174 psi)		
<b>Max. operating pressure</b>	0.8 MPa (116 psi)		
<b>Min. operating pressure</b>	0.3 MPa (44 psi)		
<b>Ambient and fluid temperature</b>	-10 to 60°C (14 to 140°F)		
<b>Cushion</b>	Clamping side: None Unclamping side: Rubber bumper		
<b>Min. operating time</b>	1.0 second to clamp, 1.0 second to unclamp		

## Weight (Cylinder Without Arm)

Unit: kg (lbs)

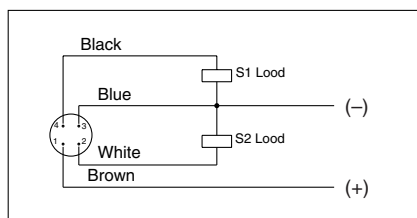
Bore size (mm)	Arm position	Arm angle							
		30°	45°	60°	75°	90°	105°	120°	135°
50	R/L	5.21 (11.46)	5.19 (11.42)	5.17 (11.37)	5.15 (11.33)	5.12 (11.26)	5.09 (11.20)	5.07 (11.15)	5.06 (11.13)
	D	5.27 (11.54)	5.25 (11.50)	5.23 (11.45)	5.21 (11.46)	5.18 (11.34)	5.15 (11.28)	5.13 (11.23)	5.12 (11.21)
63	R/L	7.37 (16.21)	7.34 (16.15)	7.31 (16.08)	7.28 (16.02)	7.24 (15.93)	7.21 (15.86)	7.18 (15.80)	7.16 (15.75)
	D	7.47 (16.36)	7.44 (16.29)	7.41 (16.23)	7.38 (16.16)	7.34 (16.07)	7.31 (16.01)	7.28 (15.94)	7.26 (15.90)
80	R/L	17.20 (37.84)	17.13 (37.69)	17.07 (37.55)	17.00 (37.40)	16.93 (37.25)	16.86 (37.09)	16.80 (36.96)	16.76 (36.87)
	D	17.42 (38.15)	17.35 (38.00)	17.29 (37.87)	17.21 (37.69)	17.15 (37.56)	17.08 (37.41)	17.02 (37.27)	16.98 (37.19)

## Switch Specifications

Manufacturer	TURCK	P&F
<b>Operating range</b>	2 mm ±10%	2 mm ±10%
<b>Supply voltage</b>	10 to 30 VDC	10 to 30 VDC
<b>Output</b>	N.O., PNP	N.O., PNP
<b>Continuous load current</b>	150 mA	100 mA
<b>Response frequency</b>	30 Hz	25 Hz
<b>Housing material</b>	PBT-GP30	PA6, PBT
<b>Output indication</b>	Clamping side: Red Unclamping side: Yellow	Clamping side: Red Unclamping side: Yellow
<b>Voltage indication</b>	Green	Green

Note) Switch specifications are corresponding to manufacturer's technical information.

## Wiring Diagram



Note) Both TURCK and P&F are common.

**Power Clamp Cylinder**  
**Conforming to the New NAAMS Standard** *Series CKZ2N*

**Part Number (Arm)**

Bore size	SMC Part Number	Code	NAAMS Ref No.
50	CKZ-50A001	A001	ACA201M
	CKZ-50A002	A002	ACA202M
	CKZ-50A003	A003	ACA203M
	CKZ-50A004	A004	ACA206M
	CKZ-50A005	A005	ACA207M
	CKZ-50A006	A006	ACA208M
	CKZ-50A007	A007	ACA211M
	CKZ-50A008	A008	ACA212M
	CKZ-50A009	A009	ACA213M
	CKZ-50A010	A010	ACA216M
	CKZ-50A011	A011	ACA217M
	CKZ-50A012	A012	ACA218M
	CKZ-50A013	A013	ACA221M
	CKZ-50A014	A014	ACA222M
	CKZ-50A015	A015	ACA223M
	CKZ-50A016	A016	ACA226M
	CKZ-50A017	A017	ACA227M
	CKZ-50A018	A018	ACA228M
	CKZ-50A019	A019	ACA236M
	CKZ-50A020	A020	ACA237M
	CKZ-50A021	A021	ACA238M
	CKZ-50A022	A022	ACA246M
CKZ-50A023	A023	ACA247M	
CKZ-50A024	A024	ACA248M	
CKZ-50A025	A025	ACA256M	
CKZ-50A026	A026	ACA257M	
CKZ-50A027	A027	ACA258M	
63	CKZ-63A001	A001	ACA001M
	CKZ-63A002	A002	ACA002M
	CKZ-63A003	A003	ACA003M
	CKZ-63A004	A004	ACA004M
	CKZ-63A005	A005	ACA005M
	CKZ-63A006	A006	ACA006M
	CKZ-63A007	A007	ACA007M
	CKZ-63A008	A008	ACA008M
	CKZ-63A009	A009	ACA009M
	CKZ-63A010	A010	ACA010M
	CKZ-63A011	A011	ACA011M

Bore size	SMC Part Number	Code	NAAMS Ref No.
63	CKZ-63A012	A012	ACA012M
	CKZ-63A013	A013	ACA013M
	CKZ-63A014	A014	ACA014M
	CKZ-63A015	A015	ACA015M
	CKZ-63A016	A016	ACA016M
	CKZ-63A017	A017	ACA017M
	CKZ-63A018	A018	ACA018M
	CKZ-63A019	A019	ACA019M
	CKZ-63A020	A020	ACA020M
	CKZ-63A021	A021	ACA021M
	CKZ-63A022	A022	ACA022M
	CKZ-63A023	A023	ACA023M
	CKZ-63A024	A024	ACA024M
	CKZ-63A025	A025	ACA025M
	CKZ-63A026	A026	ACA026M
	CKZ-63A027	A027	ACA027M
	CKZ-63A028	A028	ACA028M
	CKZ-63A029	A029	ACA029M
	CKZ-63A030	A030	ACA030M
	CKZ-63A031	A031	ACA031M
	CKZ-63A032	A032	ACA032M
	CKZ-63A033	A033	ACA033M
	CKZ-63A034	A034	ACA034M
	CKZ-63A035	A035	ACA035M
	CKZ-63A036	A036	ACA036M
	CKZ-63A037	A037	ACA037M
	CKZ-63A038	A038	ACA038M
	CKZ-63A039	A039	ACA039M
	CKZ-63A040	A040	ACA040M
	CKZ-63A041	A041	ACA041M
	CKZ-63A042	A042	ACA042M
	CKZ-63A043	A043	ACA043M
	CKZ-63A044	A044	ACA044M
	CKZ-63A045	A045	ACA045M
	CKZ-63A046	A046	ACA046M
	CKZ-63A047	A047	ACA047M
	CKZ-63A048	A048	ACA048M

Bore size	SMC Part Number	Code	NAAMS Ref No.
80	CKZ-80A001	A001	ACA100M
	CKZ-80A002	A002	ACA101M
	CKZ-80A003	A003	ACA102M
	CKZ-80A004	A004	ACA103M
	CKZ-80A005	A005	ACA104M
	CKZ-80A006	A006	ACA105M
	CKZ-80A007	A007	ACA106M
	CKZ-80A008	A008	ACA107M
	CKZ-80A009	A009	ACA108M
	CKZ-80A010	A010	ACA110M
	CKZ-80A011	A011	ACA111M
	CKZ-80A012	A012	ACA112M
	CKZ-80A013	A013	ACA113M
	CKZ-80A014	A014	ACA114M
	CKZ-80A015	A015	ACA115M
	CKZ-80A016	A016	ACA116M
	CKZ-80A017	A017	ACA117M
	CKZ-80A018	A018	ACA118M
	CKZ-80A019	A019	ACA120M
	CKZ-80A020	A020	ACA121M
	CKZ-80A021	A021	ACA122M
	CKZ-80A022	A022	ACA123M
	CKZ-80A023	A023	ACA124M
	CKZ-80A024	A024	ACA125M
	CKZ-80A025	A025	ACA126M
	CKZ-80A026	A026	ACA127M
	CKZ-80A027	A027	ACA128M
	CKZ-80A028	A028	ACA130M
	CKZ-80A029	A029	ACA131M
	CKZ-80A030	A030	ACA132M
	CKZ-80A031	A031	ACA133M
	CKZ-80A032	A032	ACA134M
	CKZ-80A033	A033	ACA135M
	CKZ-80A034	A034	ACA136M
	CKZ-80A035	A035	ACA137M
	CKZ-80A036	A036	ACA138M
	CKZ-80A037	A037	ACA140M

Bore size	SMC Part Number	Code	NAAMS Ref No.
80	CKZ-80A038	A038	ACA141M
	CKZ-80A039	A039	ACA142M
	CKZ-80A040	A040	ACA143M
	CKZ-80A041	A041	ACA144M
	CKZ-80A042	A042	ACA145M
	CKZ-80A043	A043	ACA146M
	CKZ-80A044	A044	ACA147M
	CKZ-80A045	A045	ACA148M
	CKZ-80A046	A046	ACA150M
	CKZ-80A047	A047	ACA151M
	CKZ-80A048	A048	ACA152M
	CKZ-80A049	A049	ACA153M
	CKZ-80A050	A050	ACA154M
	CKZ-80A051	A051	ACA155M
	CKZ-80A052	A052	ACA156M
	CKZ-80A053	A053	ACA157M
	CKZ-80A054	A054	ACA158M
	CKZ-80A055	A055	ACA160M
	CKZ-80A056	A056	ACA161M
	CKZ-80A057	A057	ACA162M
	CKZ-80A058	A058	ACA163M
	CKZ-80A059	A059	ACA164M
	CKZ-80A060	A060	ACA165M
	CKZ-80A061	A061	ACA166M
	CKZ-80A062	A062	ACA167M
	CKZ-80A063	A063	ACA168M
	CKZ-80A064	A064	ACA170M
	CKZ-80A065	A065	ACA171M
	CKZ-80A066	A066	ACA172M
	CKZ-80A067	A067	ACA173M
	CKZ-80A068	A068	ACA174M
	CKZ-80A069	A069	ACA175M
	CKZ-80A070	A070	ACA176M
	CKZ-80A071	A071	ACA177M
	CKZ-80A072	A072	ACA178M

For Asia

For North America

For Europe

For France

Special

CK□1

CLK2

C(L)K□

MK2T/MK2/MK

CKZ2N

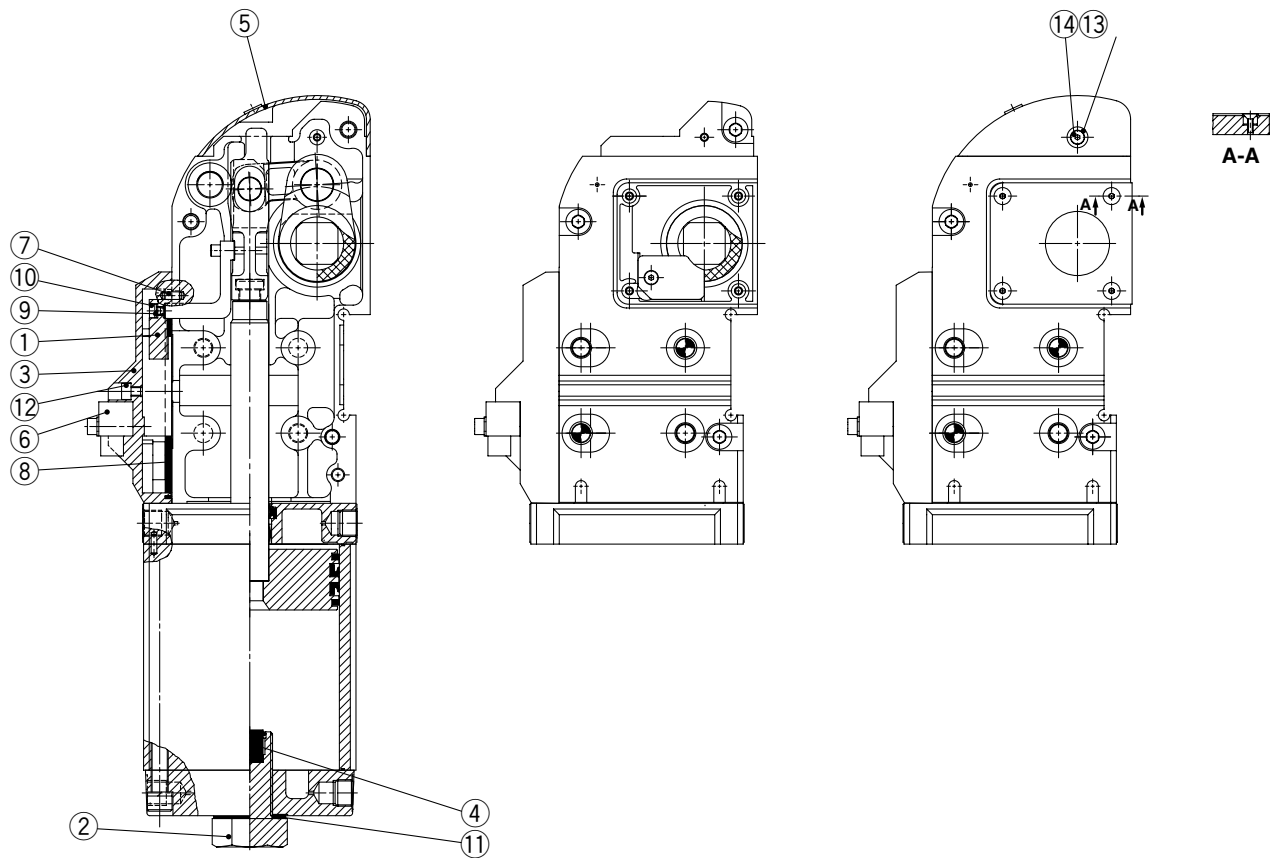
CKZT

CLKZ1R

CK□/M(D)UKA

# Series CKZ2N

## Construction



### Replaceable Kits List

Description	Bore size (mm)	Kit no.	Contents
Switch cassette	50	CKZ1N-S050 <sup>T</sup> Note 1)	③ Switch holder
	63	CKZ1N-S063 <sup>T</sup> Note 1)	⑥ Proximity switch
	80	CKZ1N-S080 <sup>T</sup> Note 1)	⑦ Parallel pin ⑧ Sheet gasket ⑫ Cover cap screw
Kits for changing opening angle of arm	50	CKZN-D050□ <sup>Note 2)</sup>	① Switch actuator ⑨ Spring washer ⑩ Socket head cap screw
		CKZN-B050□ <sup>Note 2)</sup>	② Stopper bolt ④ Bumper ⑪ Seal washer
		CKZN-K050□ <sup>Note 2)</sup>	CKZN-D050□ CKZN-B050□
	63	CKZN-D063□ <sup>Note 2)</sup>	① Switch actuator ⑨ Spring washer ⑩ Socket head cap screw
		CKZN-B063□ <sup>Note 2)</sup>	② Stopper bolt ④ Bumper ⑪ Seal washer
		CKZN-K063□ <sup>Note 2)</sup>	CKZN-D063□ CKZN-B063□
	80	CKZN-D080□ <sup>Note 2)</sup>	① Switch actuator ⑨ Spring washer ⑩ Socket head cap screw
		CKZN-B080□ <sup>Note 2)</sup>	② Stopper bolt ④ Bumper ⑪ Seal washer
		CKZN-K080□ <sup>Note 2)</sup>	CKZN-D080□ CKZN-B080□
Top cover kits	50	CKZ2N-T050	⑤ Top cover
	63	CKZ2N-T063	⑬ Spacer
	80	CKZ2N-T080	⑭ Short head cap screw

①	Switch actuator
②	Stopper bolt
③	Switch holder
④	Bumper
⑤	Top cover
⑥	Proximity switch
⑦	Parallel pin
⑧	Sheet gasket
⑨	Spring washer
⑩	Socket head cap screw
⑪	Seal washer
⑫	Cover cap screw
⑬	Spacer
⑭	Short head cap screw

Note 1) T = TURCK, P = P&F

Note 2) Please specify the opening angle by the code in Table 1.

Table 1

Opening angle	Code
30°	H
45°	G
60°	F
75°	E
90°	D
105°	C
120°	B
135°	A

## Allowable Locking Moment

Bore size (mm)	Allowable locking moment	
	N·m	lbf·in
<b>50</b>	800	7080
<b>63</b>	1500	13274
<b>80</b>	2500	22124

\* The moment when the clamp arm is locked at the time of air release in the clamped state.

## Maximum Clamping Moment

Bore size (mm)	Max. clamping force											
	0.3 MPa		0.4 MPa		0.5 MPa		0.6 MPa		0.7 MPa		0.8 MPa	
	N·m	lbf·in	N·m	lbf·in	N·m	lbf·in	N·m	lbf·in	N·m	lbf·in	N·m	lbf·in
<b>50</b>	100	885	130	1150	160	1416	190	1681	220	1947	250	2212
<b>63</b>	300	2655	350	3097	400	3540	450	3982	500	4425	550	4867
<b>80</b>	560	4956	720	6372	880	7788	1040	9204	1200	10619	1360	12035

## Cylinder Stroke

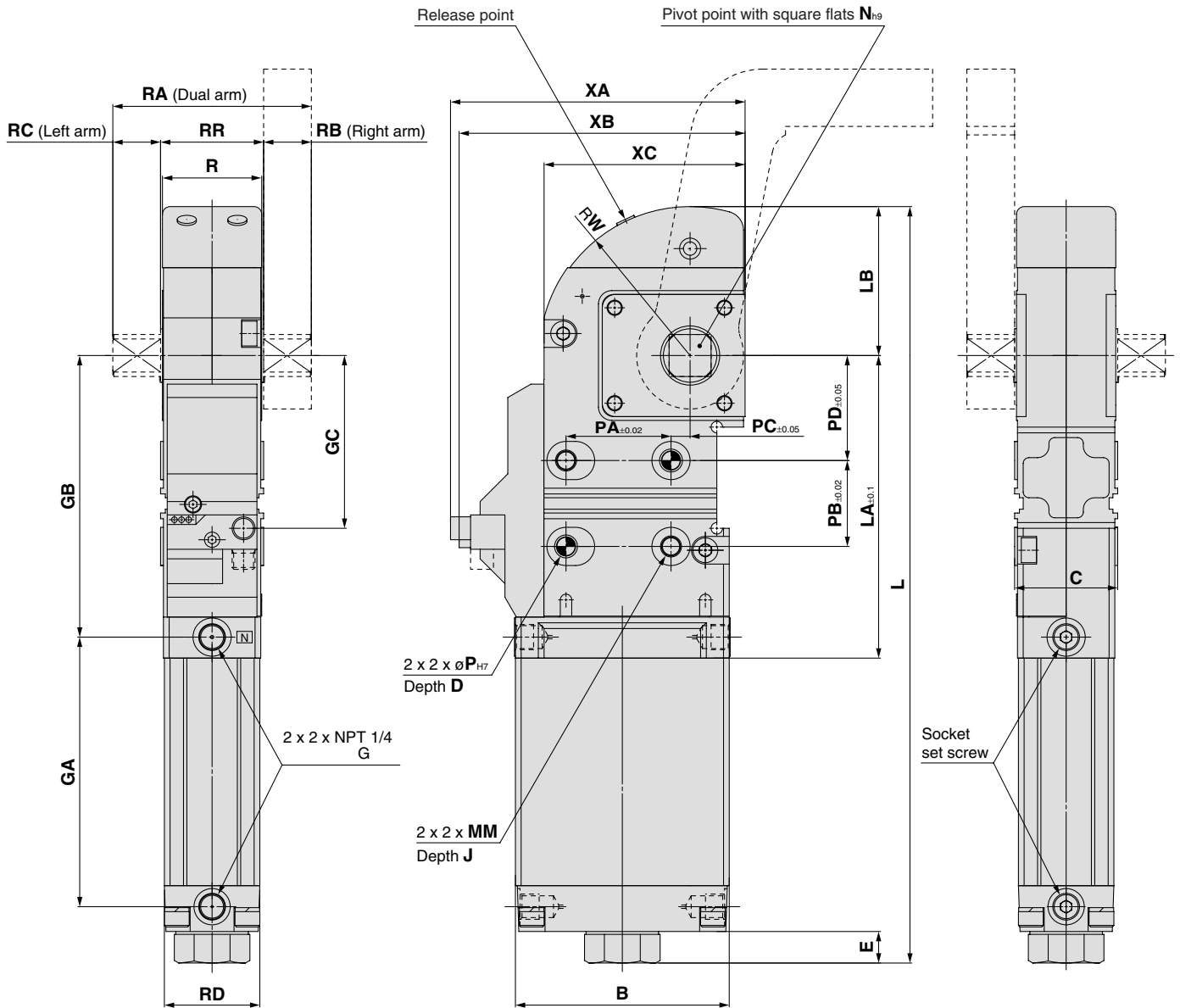
Unit: (mm)

Angle \ Bore size	30°	45°	60°	75°	90°	105°	120°	135°
<b>50</b>	31.1	38.9	46.4	54.1	61.9	69.6	76.4	81.3
<b>63</b>	34.1	42.5	50.5	58.6	66.8	74.7	81.5	86.3
<b>80</b>	47.3	59.4	71.1	83.2	95.7	108.0	119.1	127.3

CK□1  
 CLK2  
 For Asia  
 C(L)KQ□  
 MK2T/MK2/MK  
 For North America  
**CKZ2N**  
 For Europe  
 CKZT  
 For France  
 CLKZ1R  
 Special  
 CK□/M(D)JKA

# Series CKZ2N

## Dimensions



Bore size (mm)	B	C	D	E	GA	GB	GC	J	L	LA	LB	MM	N	P
50	95	48	12	13.7	134.3	138.5	93	12	376.7	149.5	78.4	M8 x 1.25	19	8
63	112	54	15	16.6	141.2	147.5	90.5	12	395.6	158.5	78	M10 x 1.5	22	10
80	154	76	12	19.6	185.8	199	137.5	18	530.9	214	113.7	M12 x 1.75	30	12

Bore size (mm)	PA	PB	PC	PD	R	RA	RB	RC	RD	RR	W	XA	XB	XC
50	45	45	5	40	45	88	20	20	45	48	78.4	141.8	137.3	92.8
63	55	45	10	55	52	104	25	25	50	54	78	154.4	150.4	105.3
80	70	75	15	65	70	140	32	32	68	76	113.7	197.3	192.8	148.3

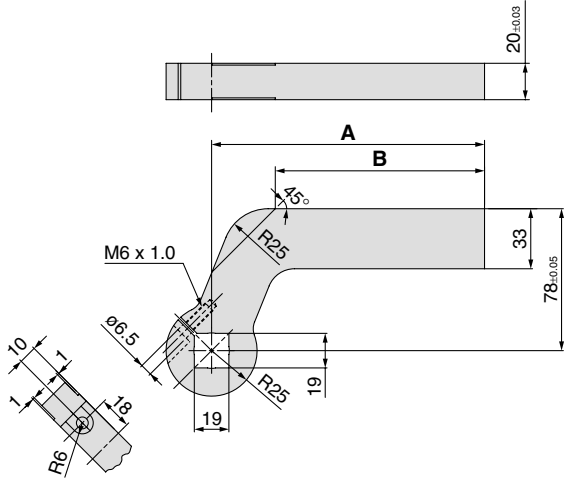




# Series CKZ2N

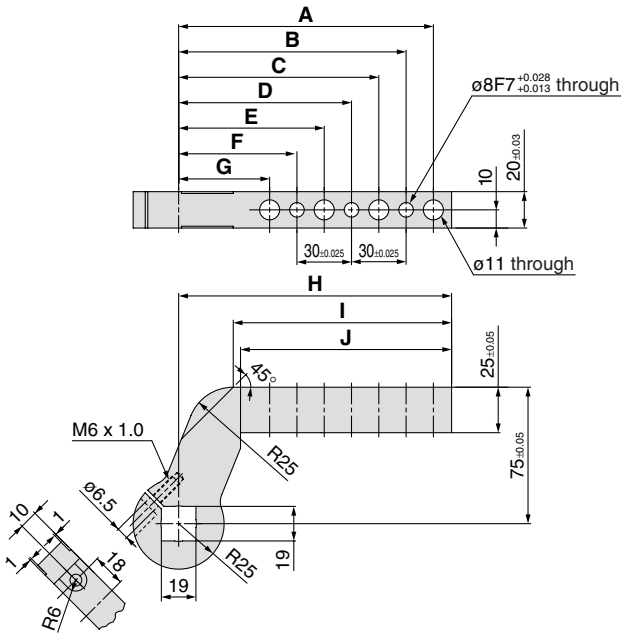
## Dimensions

### 45 mm Offset-Plain



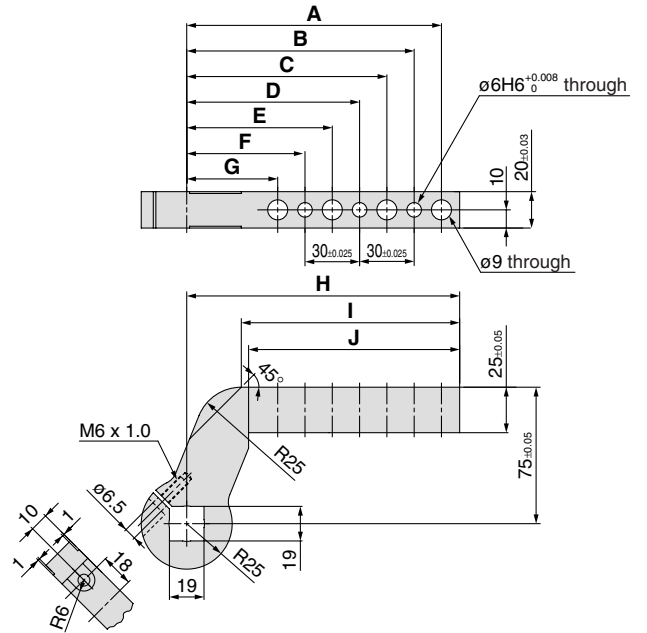
Part no.	NAAMS code	A	B	Weight kg (lbs)
CKZ-50A013	ACA221M	90.0	55.0	0.8 (1.76)
CKZ-50A014	ACA222M	120.0	85.0	0.9 (1.98)
CKZ-50A015	ACA223M	150.0	115.0	1.1 (2.42)

### 50 mm Offset-Machined



Part no.	NAAMS code	A	B	C	D	E	F	G	H	I	J	Weight kg (lbs)
CKZ-50A016	ACA226M	80.0	65.0	50.0	—	—	—	—	90.0	60.0	56.0	0.6 (1.32)
CKZ-50A017	ACA227M	110.0	95.0	80.0	65.0	50.0	—	—	120.0	90.0	86.0	0.7 (1.54)
CKZ-50A018	ACA228M	140.0	125.0	110.0	95.0	80.0	65.0	50.0	150.0	120.0	116.0	0.8 (1.76)

### 50 mm Offset-Machined



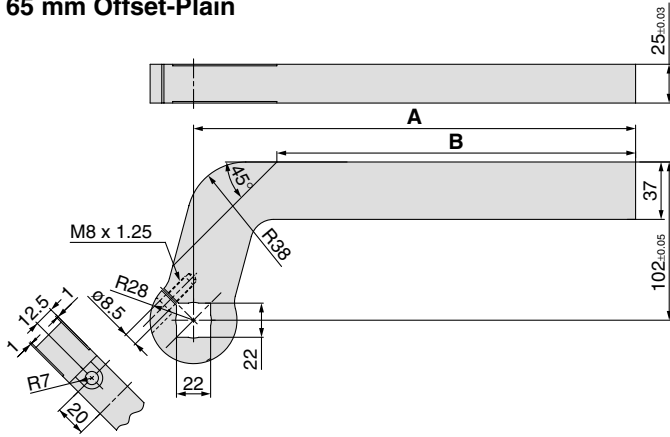
Part no.	NAAMS code	A	B	C	D	E	F	G	H	I	J	Weight kg (lbs)
CKZ-50A025	ACA256M	80.0	65.0	50.0	—	—	—	—	90.0	60.0	56.0	0.6 (1.32)
CKZ-50A026	ACA257M	110.0	95.0	80.0	65.0	50.0	—	—	120.0	90.0	86.0	0.7 (1.54)
CKZ-50A027	ACA258M	140.0	125.0	110.0	95.0	80.0	65.0	50.0	150.0	120.0	116.0	0.8 (1.76)



# Series CKZ2N

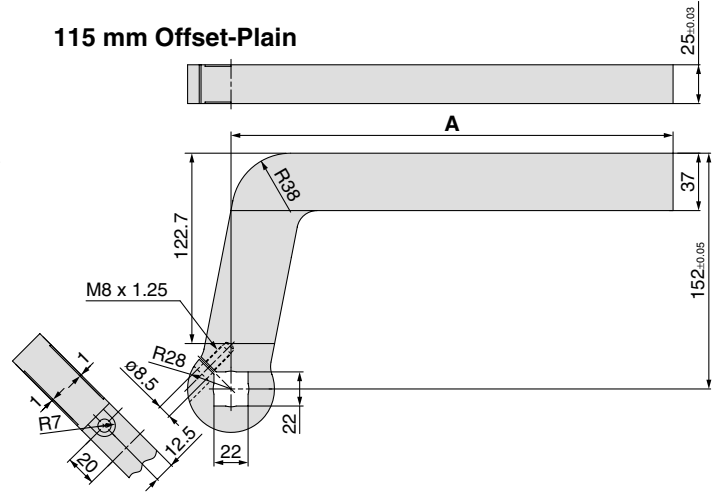
## Dimensions

### 65 mm Offset-Plain



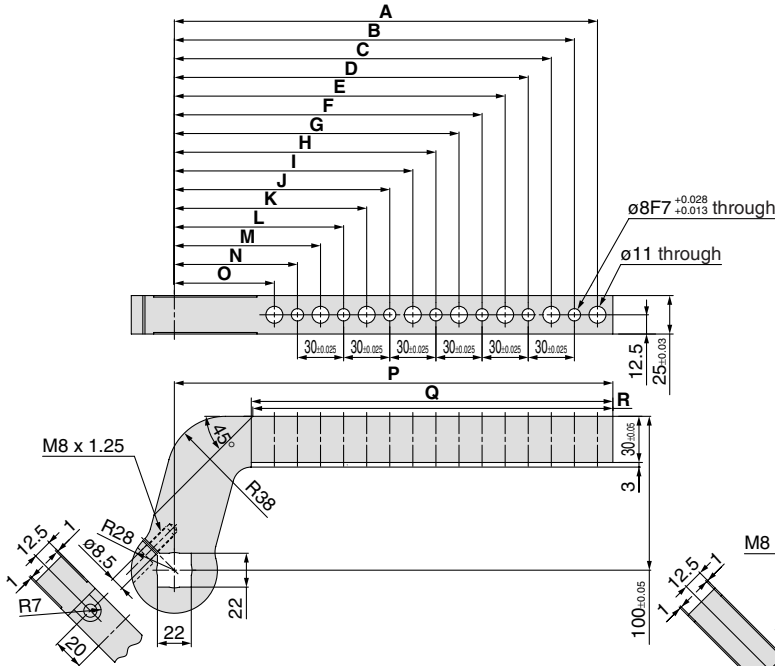
Part no.	NAAMS code	A	B	Weight kg (lbs)
CKZ-63A025	ACA025M	135.0	81.3	1.7 (3.75)
CKZ-63A026	ACA026M	165.0	111.3	1.9 (4.19)
CKZ-63A027	ACA027M	195.0	141.3	2.1 (4.63)
CKZ-63A028	ACA028M	225.0	171.3	2.3 (5.07)
CKZ-63A029	ACA029M	255.0	201.3	2.5 (5.51)
CKZ-63A030	ACA030M	285.0	231.3	2.7 (5.96)

### 115 mm Offset-Plain



Part no.	NAAMS code	A	Weight kg (lbs)
CKZ-63A037	ACA037M	135.0	2.1 (4.63)
CKZ-63A038	ACA038M	165.0	2.3 (5.07)
CKZ-63A039	ACA039M	195.0	2.5 (5.51)
CKZ-63A040	ACA040M	225.0	2.7 (5.96)
CKZ-63A041	ACA041M	255.0	2.9 (6.40)
CKZ-63A042	ACA042M	285.0	3.1 (6.84)

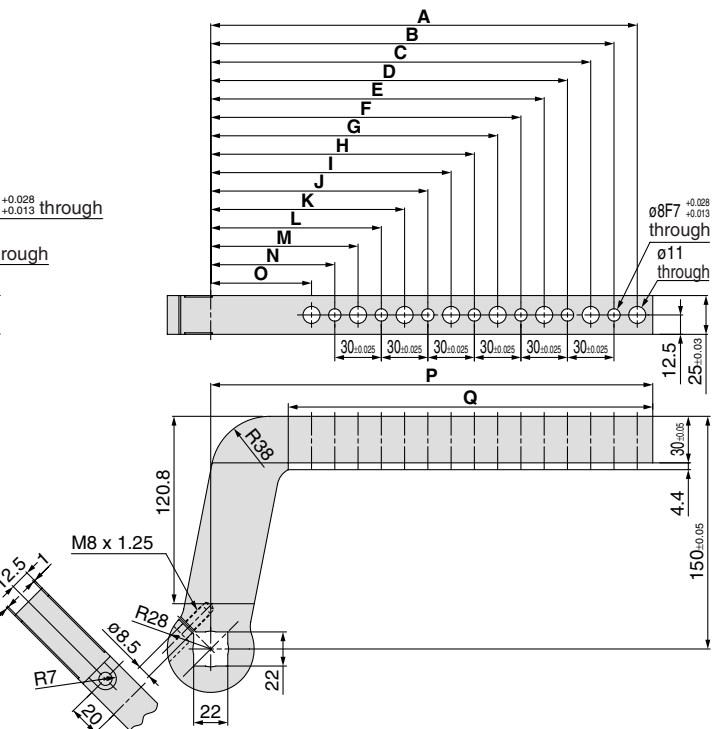
### 70 mm Offset-Machined



Part no.	NAAMS code	A	B	C	D	E	F	G	H	I	J
CKZ-63A031	ACA031M	125.0	110.0	95.0	80.0	65.0	—	—	—	—	—
CKZ-63A032	ACA032M	155.0	140.0	125.0	110.0	95.0	80.0	65.0	—	—	—
CKZ-63A033	ACA033M	185.0	170.0	155.0	140.0	125.0	110.0	95.0	80.0	65.0	—
CKZ-63A034	ACA034M	215.0	200.0	185.0	170.0	155.0	140.0	125.0	110.0	95.0	80.0
CKZ-63A035	ACA035M	245.0	230.0	215.0	200.0	185.0	170.0	155.0	140.0	125.0	110.0
CKZ-63A036	ACA036M	275.0	260.0	245.0	230.0	215.0	200.0	185.0	170.0	155.0	140.0

Part no.	NAAMS code	K	L	M	N	O	P	Q	R	Weight kg (lbs)
CKZ-63A031	ACA031M	—	—	—	—	—	135.0	85.0	84.0	1.4 (3.09)
CKZ-63A032	ACA032M	—	—	—	—	—	165.0	115.0	114.0	1.6 (3.53)
CKZ-63A033	ACA033M	—	—	—	—	—	195.0	145.0	144.0	1.8 (3.97)
CKZ-63A034	ACA034M	65.0	—	—	—	—	225.0	175.0	174.0	1.9 (4.19)
CKZ-63A035	ACA035M	95.0	80.0	65.0	—	—	255.0	205.0	204.0	2.1 (4.63)
CKZ-63A036	ACA036M	125.0	110.0	95.0	80.0	65.0	285.0	235.0	234.0	2.3 (5.07)

### 120 mm Offset-Machined

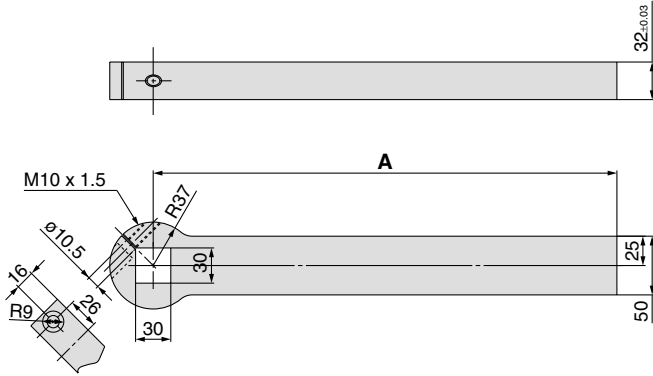


Part no.	NAAMS code	A	B	C	D	E	F	G	H	I	J
CKZ-63A043	ACA043M	125.0	110.0	95.0	80.0	65.0	—	—	—	—	—
CKZ-63A044	ACA044M	155.0	140.0	125.0	110.0	95.0	80.0	65.0	—	—	—
CKZ-63A045	ACA045M	185.0	170.0	155.0	140.0	125.0	110.0	95.0	80.0	65.0	—
CKZ-63A046	ACA046M	215.0	200.0	185.0	170.0	155.0	140.0	125.0	110.0	95.0	80.0
CKZ-63A047	ACA047M	245.0	230.0	215.0	200.0	185.0	170.0	155.0	140.0	125.0	110.0
CKZ-63A048	ACA048M	275.0	260.0	245.0	230.0	215.0	200.0	185.0	170.0	155.0	140.0

Part no.	NAAMS code	K	L	M	N	O	P	Q	Weight kg (lbs)
CKZ-63A043	ACA043M	—	—	—	—	—	135.0	85.0	1.8 (3.97)
CKZ-63A044	ACA044M	—	—	—	—	—	165.0	115.0	2.0 (4.41)
CKZ-63A045	ACA045M	—	—	—	—	—	195.0	145.0	2.1 (4.63)
CKZ-63A046	ACA046M	65.0	—	—	—	—	225.0	175.0	2.3 (5.07)
CKZ-63A047	ACA047M	95.0	80.0	65.0	—	—	255.0	205.0	2.5 (5.51)
CKZ-63A048	ACA048M	125.0	110.0	95.0	80.0	65.0	285.0	235.0	2.6 (5.73)

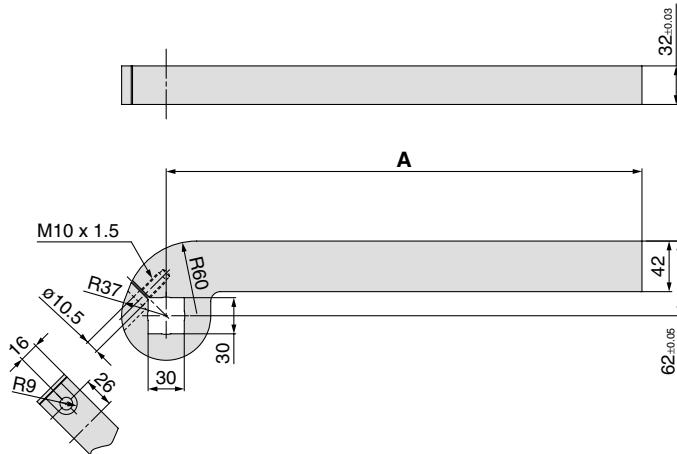
## Dimensions

### Arm / $\varnothing 80$ Straight-Plain



Part no.	NAAMS code	A	Weight kg (lbs)
CKZ-80A001	ACA100M	155.0	2.3 (5.07)
CKZ-80A002	ACA101M	185.0	2.7 (5.96)
CKZ-80A003	ACA102M	215.0	3.0 (6.62)
CKZ-80A004	ACA103M	245.0	3.4 (7.50)
CKZ-80A005	ACA104M	275.0	3.8 (8.38)
CKZ-80A006	ACA105M	305.0	4.2 (9.27)
CKZ-80A007	ACA106M	335.0	4.5 (9.93)
CKZ-80A008	ACA107M	365.0	4.9 (10.81)
CKZ-80A009	ACA108M	395.0	5.3 (11.69)

### 20 mm Offset-Plain



Part no.	NAAMS code	A	Weight kg (lbs)
CKZ-80A019	ACA120M	155.0	2.4 (5.29)
CKZ-80A020	ACA121M	185.0	2.7 (5.96)
CKZ-80A021	ACA122M	215.0	3.0 (6.62)
CKZ-80A022	ACA123M	245.0	3.3 (7.28)
CKZ-80A023	ACA124M	275.0	3.6 (7.94)
CKZ-80A024	ACA125M	305.0	3.9 (8.60)
CKZ-80A025	ACA126M	335.0	4.2 (9.27)
CKZ-80A026	ACA127M	365.0	4.6 (10.15)
CKZ-80A027	ACA128M	395.0	4.9 (10.81)

For Asia

CK□1

CLK2

C(L)KQ□

MK2T/MK2/MK

For North America

CKZ2N

For Europe

CKZT

For France

CLKZ1R

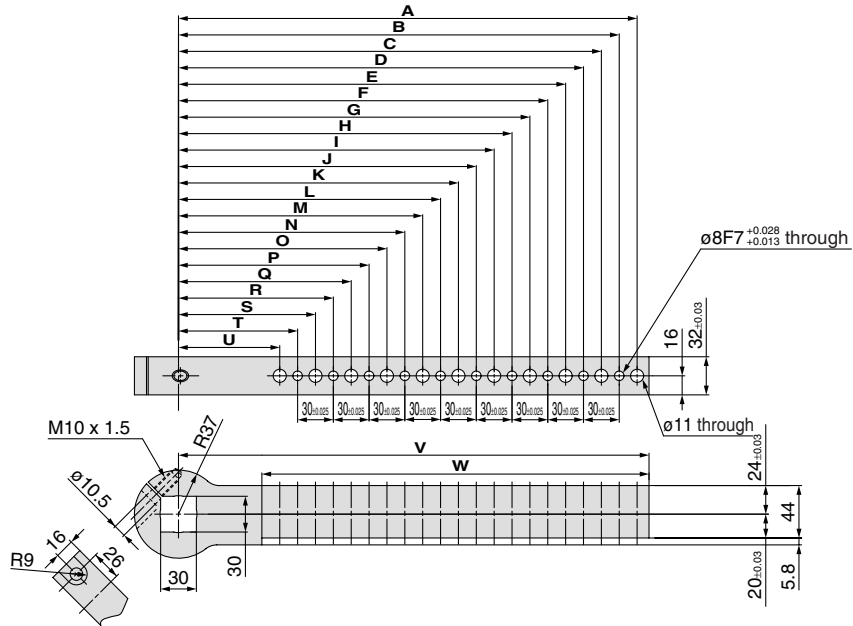
Special

CK□/M(D)UKA

# Series CKZ2N

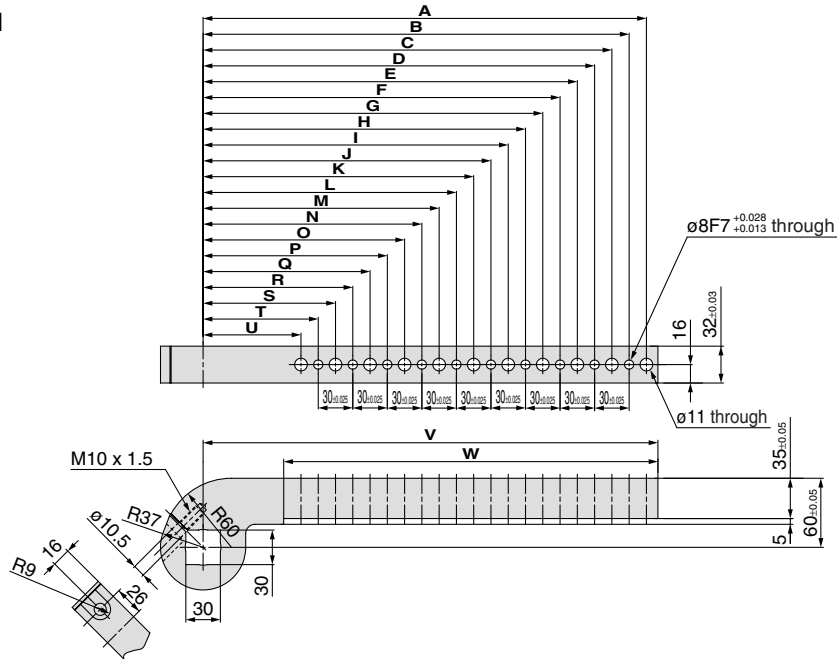
## Dimensions

### Straight-Machined



Part no.	NAAMS code	A	B	C	D	E	F	G	H	I	J	K	L	M	N	O	P	Q	R	S	T	U	V	W	Weight kg (lbs)
CKZ-80A010	ACA110M	145.0	130.0	115.0	100.0	85.0	—	—	—	—	—	—	—	—	—	—	—	—	—	—	—	—	155.0	85.0	2.1 (4.63)
CKZ-80A011	ACA111M	175.0	160.0	145.0	130.0	115.0	100.0	85.0	—	—	—	—	—	—	—	—	—	—	—	—	—	—	185.0	115.0	2.4 (5.29)
CKZ-80A012	ACA112M	205.0	190.0	175.0	160.0	145.0	130.0	115.0	100.0	85.0	—	—	—	—	—	—	—	—	—	—	—	—	215.0	145.0	2.7 (5.96)
CKZ-80A013	ACA113M	235.0	220.0	205.0	190.0	175.0	160.0	145.0	130.0	115.0	100.0	85.0	—	—	—	—	—	—	—	—	—	—	245.0	175.0	3.0 (6.62)
CKZ-80A014	ACA114M	265.0	250.0	235.0	220.0	205.0	190.0	175.0	160.0	145.0	130.0	115.0	100.0	85.0	—	—	—	—	—	—	—	—	275.0	205.0	3.3 (7.28)
CKZ-80A015	ACA115M	295.0	280.0	265.0	250.0	235.0	220.0	205.0	190.0	175.0	160.0	145.0	130.0	115.0	100.0	85.0	—	—	—	—	—	—	305.0	235.0	3.6 (7.94)
CKZ-80A016	ACA116M	325.0	310.0	295.0	280.0	265.0	250.0	235.0	220.0	205.0	190.0	175.0	160.0	145.0	130.0	115.0	100.0	85.0	—	—	—	—	335.0	265.0	3.9 (8.60)
CKZ-80A017	ACA117M	355.0	340.0	325.0	310.0	295.0	280.0	265.0	250.0	235.0	220.0	205.0	190.0	175.0	160.0	145.0	130.0	115.0	100.0	85.0	—	—	365.0	295.0	4.2 (9.27)
CKZ-80A018	ACA118M	385.0	370.0	355.0	340.0	325.0	310.0	295.0	280.0	265.0	250.0	235.0	220.0	205.0	190.0	175.0	160.0	145.0	130.0	115.0	100.0	85.0	395.0	325.0	4.5 (9.93)

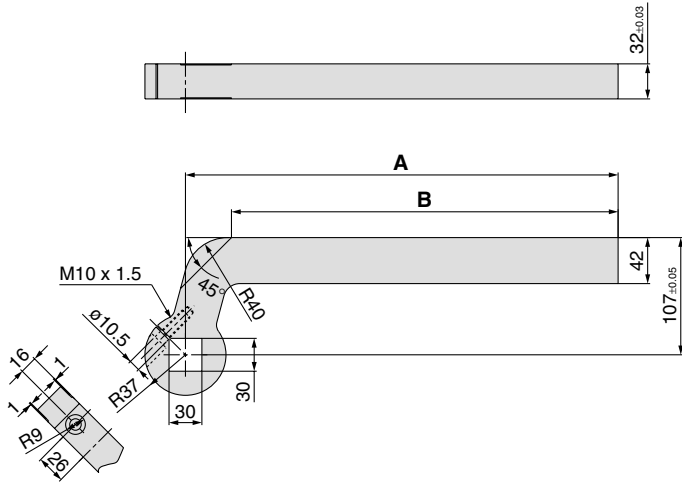
### 25 mm Offset-Machined



Part no.	NAAMS code	A	B	C	D	E	F	G	H	I	J	K	L	M	N	O	P	Q	R	S	T	U	V	W	Weight kg (lbs)
CKZ-80A028	ACA130M	145.0	130.0	115.0	100.0	85.0	—	—	—	—	—	—	—	—	—	—	—	—	—	—	—	—	155.0	85.0	2.1 (4.63)
CKZ-80A029	ACA131M	175.0	160.0	145.0	130.0	115.0	100.0	85.0	—	—	—	—	—	—	—	—	—	—	—	—	—	—	185.0	115.0	2.3 (5.07)
CKZ-80A030	ACA132M	205.0	190.0	175.0	160.0	145.0	130.0	115.0	100.0	85.0	—	—	—	—	—	—	—	—	—	—	—	—	215.0	145.0	2.6 (5.73)
CKZ-80A031	ACA133M	235.0	220.0	205.0	190.0	175.0	160.0	145.0	130.0	115.0	100.0	85.0	—	—	—	—	—	—	—	—	—	—	245.0	175.0	2.8 (6.18)
CKZ-80A032	ACA134M	265.0	250.0	235.0	220.0	205.0	190.0	175.0	160.0	145.0	130.0	115.0	100.0	85.0	—	—	—	—	—	—	—	—	275.0	205.0	3.0 (6.62)
CKZ-80A033	ACA135M	295.0	280.0	265.0	250.0	235.0	220.0	205.0	190.0	175.0	160.0	145.0	130.0	115.0	100.0	85.0	—	—	—	—	—	—	305.0	235.0	3.2 (7.06)
CKZ-80A034	ACA136M	325.0	310.0	295.0	280.0	265.0	250.0	235.0	220.0	205.0	190.0	175.0	160.0	145.0	130.0	115.0	100.0	85.0	—	—	—	—	335.0	265.0	3.5 (7.72)
CKZ-80A035	ACA137M	355.0	340.0	325.0	310.0	295.0	280.0	265.0	250.0	235.0	220.0	205.0	190.0	175.0	160.0	145.0	130.0	115.0	100.0	85.0	—	—	365.0	295.0	3.8 (8.38)
CKZ-80A036	ACA138M	385.0	370.0	355.0	340.0	325.0	310.0	295.0	280.0	265.0	250.0	235.0	220.0	205.0	190.0	175.0	160.0	145.0	130.0	115.0	100.0	85.0	395.0	325.0	4.0 (8.83)

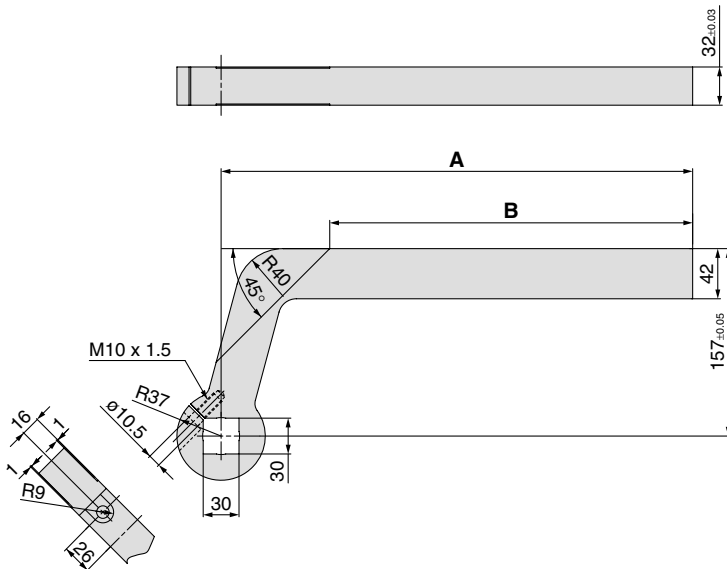
## Dimensions

### 65 mm Offset-Plain



Part no.	NAAMS code	A	B	Weight kg (lbs)
CKZ-80A037	ACA140M	155.0	113.0	2.7 (5.96)
CKZ-80A038	ACA141M	185.0	143.0	3.0 (6.62)
CKZ-80A039	ACA142M	215.0	173.0	3.3 (7.28)
CKZ-80A040	ACA143M	245.0	203.0	3.6 (7.94)
CKZ-80A041	ACA144M	275.0	233.0	3.9 (8.60)
CKZ-80A042	ACA145M	305.0	263.0	4.2 (9.27)
CKZ-80A043	ACA146M	335.0	293.0	4.5 (9.93)
CKZ-80A044	ACA147M	365.0	323.0	4.8 (10.59)
CKZ-80A045	ACA148M	395.0	353.0	5.1 (11.25)

### 115 mm Offset-Plain



Part no.	NAAMS code	A	B	Weight kg (lbs)
CKZ-80A055	ACA160M	155.0	64.0	3.0 (6.62)
CKZ-80A056	ACA161M	185.0	94.0	3.3 (7.28)
CKZ-80A057	ACA162M	215.0	124.0	3.6 (7.94)
CKZ-80A058	ACA163M	245.0	154.0	3.9 (8.60)
CKZ-80A059	ACA164M	275.0	184.0	4.2 (9.27)
CKZ-80A060	ACA165M	305.0	214.0	4.5 (9.93)
CKZ-80A061	ACA166M	335.0	244.0	4.8 (10.59)
CKZ-80A062	ACA167M	365.0	274.0	5.2 (11.47)
CKZ-80A063	ACA168M	395.0	304.0	5.5 (12.14)

CK□1

CLK2

For Asia

C(L)K□□

MK2T/MK2/MK

For North America

CKZ2N

For Europe

CKZT

For France

CLKZ1R

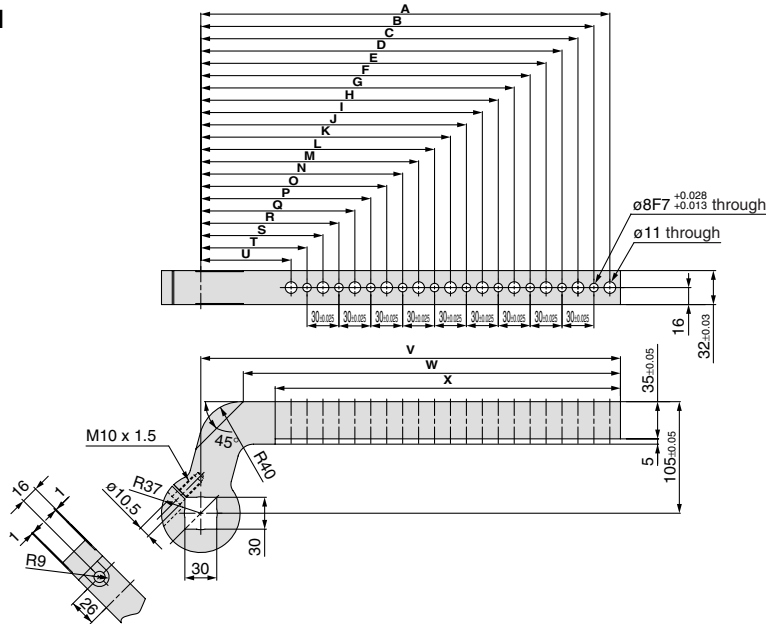
Special

CK□/M(D)UKA

# Series CKZ2N

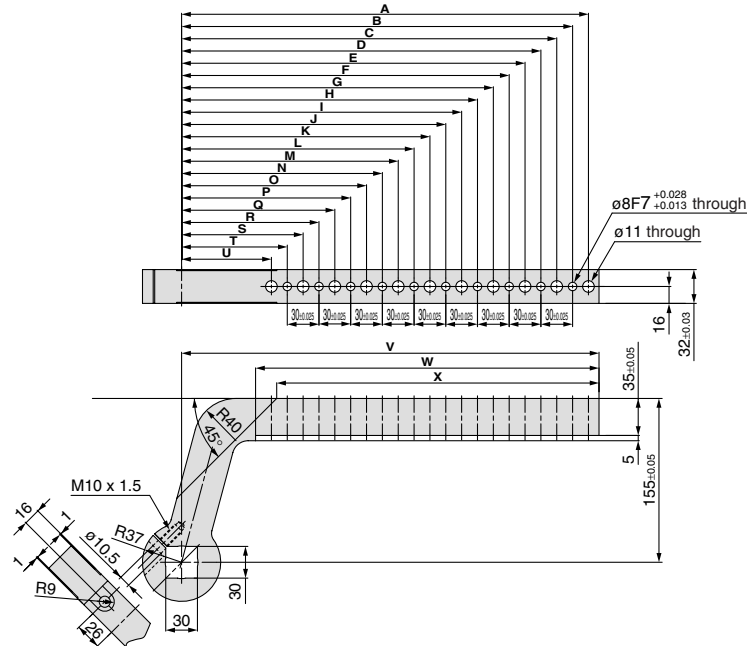
## Dimensions

### 70 mm Offset-Machined



Part no.	NAAMS code	A	B	C	D	E	F	G	H	I	J	K	L	M	N	O	P	Q	R	S	T	U	V	W	X	Weight kg (lbs)
CKZ-80A046	ACA150M	145.0	130.0	115.0	100.0	85.0	—	—	—	—	—	—	—	—	—	—	—	—	—	—	—	—	155.0	115.0	85.0	2.4 (5.29)
CKZ-80A047	ACA151M	175.0	160.0	145.0	130.0	115.0	100.0	85.0	—	—	—	—	—	—	—	—	—	—	—	—	—	—	185.0	145.0	115.0	2.6 (5.73)
CKZ-80A048	ACA152M	205.0	190.0	175.0	160.0	145.0	130.0	115.0	100.0	85.0	—	—	—	—	—	—	—	—	—	—	—	—	215.0	175.0	145.0	2.8 (6.18)
CKZ-80A049	ACA153M	235.0	220.0	205.0	190.0	175.0	160.0	145.0	130.0	115.0	100.0	85.0	—	—	—	—	—	—	—	—	—	—	245.0	205.0	175.0	3.1 (6.84)
CKZ-80A050	ACA154M	265.0	250.0	235.0	220.0	205.0	190.0	175.0	160.0	145.0	130.0	115.0	100.0	85.0	—	—	—	—	—	—	—	—	275.0	235.0	205.0	3.3 (7.28)
CKZ-80A051	ACA155M	295.0	280.0	265.0	250.0	235.0	220.0	205.0	190.0	175.0	160.0	145.0	130.0	115.0	100.0	85.0	—	—	—	—	—	—	305.0	265.0	235.0	3.5 (7.72)
CKZ-80A052	ACA156M	325.0	310.0	295.0	280.0	265.0	250.0	235.0	220.0	205.0	190.0	175.0	160.0	145.0	130.0	115.0	100.0	85.0	—	—	—	—	335.0	295.0	265.0	3.8 (8.38)
CKZ-80A053	ACA157M	355.0	340.0	325.0	310.0	295.0	280.0	265.0	250.0	235.0	220.0	205.0	190.0	175.0	160.0	145.0	130.0	115.0	100.0	85.0	—	—	365.0	325.0	295.0	4.0 (8.83)
CKZ-80A054	ACA158M	385.0	370.0	355.0	340.0	325.0	310.0	295.0	280.0	265.0	250.0	235.0	220.0	205.0	190.0	175.0	160.0	145.0	130.0	115.0	100.0	85.0	395.0	355.0	325.0	4.3 (9.49)

### 120 mm Offset-Machined



Part no.	NAAMS code	A	B	C	D	E	F	G	H	I	J	K	L	M	N	O	P	Q	R	S	T	U	V	W	X	Weight kg (lbs)
CKZ-80A064	ACA170M	145.0	130.0	115.0	100.0	85.0	—	—	—	—	—	—	—	—	—	—	—	—	—	—	—	—	155.0	85.0	65.0	2.7 (5.96)
CKZ-80A065	ACA171M	175.0	160.0	145.0	130.0	115.0	100.0	85.0	—	—	—	—	—	—	—	—	—	—	—	—	—	—	185.0	115.0	95.0	2.9 (6.40)
CKZ-80A066	ACA172M	205.0	190.0	175.0	160.0	145.0	130.0	115.0	100.0	85.0	—	—	—	—	—	—	—	—	—	—	—	—	215.0	145.0	125.0	3.2 (7.06)
CKZ-80A067	ACA173M	235.0	220.0	205.0	190.0	175.0	160.0	145.0	130.0	115.0	100.0	85.0	—	—	—	—	—	—	—	—	—	—	245.0	175.0	155.0	3.4 (7.50)
CKZ-80A068	ACA174M	265.0	250.0	235.0	220.0	205.0	190.0	175.0	160.0	145.0	130.0	115.0	100.0	85.0	—	—	—	—	—	—	—	—	275.0	205.0	185.0	3.6 (7.94)
CKZ-80A069	ACA175M	295.0	280.0	265.0	250.0	235.0	220.0	205.0	190.0	175.0	160.0	145.0	130.0	115.0	100.0	85.0	—	—	—	—	—	—	305.0	235.0	215.0	3.9 (8.60)
CKZ-80A070	ACA176M	325.0	310.0	295.0	280.0	265.0	250.0	235.0	220.0	205.0	190.0	175.0	160.0	145.0	130.0	115.0	100.0	85.0	—	—	—	—	335.0	265.0	245.0	4.1 (9.05)
CKZ-80A071	ACA177M	355.0	340.0	325.0	310.0	295.0	280.0	265.0	250.0	235.0	220.0	205.0	190.0	175.0	160.0	145.0	130.0	115.0	100.0	85.0	—	—	365.0	295.0	275.0	4.4 (9.71)
CKZ-80A072	ACA178M	385.0	370.0	355.0	340.0	325.0	310.0	295.0	280.0	265.0	250.0	235.0	220.0	205.0	190.0	175.0	160.0	145.0	130.0	115.0	100.0	85.0	395.0	325.0	305.0	4.6 (10.15)

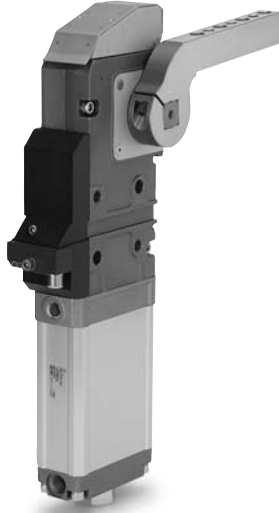


# Series CKZ2N Made to Order 1

Contact SMC for detailed dimensions, specifications and delivery.



## 1 Power clamp cylinder with metal cover



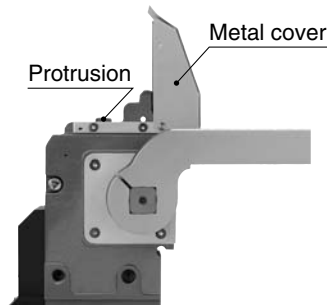
- Applicable model  
**CKZ2N50, 63, 80**
- Applicable to Arc-melting-resistant line
- In addition to the existing rubber cover type, Opening/closing metal cover type is available for releasing part of the toggle construction.

### Cylinder Specifications

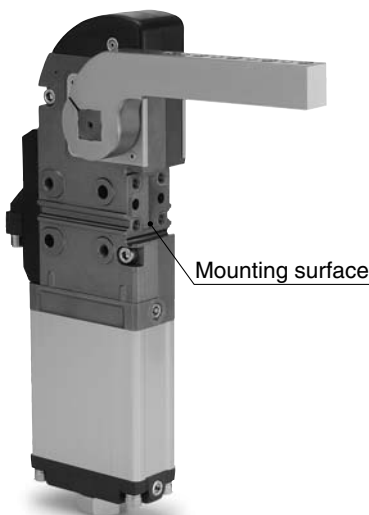
Bore size (mm)	50	63	80
<b>Angle</b>	30°, 45°, 60°, 75°, 90°, 105°, 120°, 135°		
<b>Cushion</b>	Unclamping side: Rubber bumper		
<b>Maximum operating pressure</b>	0.8 MPa (116 psi)		
<b>Ambient and fluid temperature</b>	-10 to 60°C (14 to 140°F)		
<b>Minimum operating time</b>	1.0 sec. to clamp, 1.0 sec. to unclamp		

### Manual toggle release

The toggle link mechanism can be released easily by opening the metal cover and hitting the portion of the protrusion by using of plastic hammer (hammer made of soft material), etc.



## 2 Power clamp cylinder front mounting type



- Applicable model  
**CKZ2N50, 63, 80**
- Applicable to front mounting type conforming to the new NAAMS.

### Cylinder Specifications

Bore size (mm)	50	63	80
<b>Angle</b>	30°, 45°, 60°, 75°, 90°, 105°, 120°, 135°		
<b>Cushion</b>	Unclamping side: Rubber bumper		
<b>Maximum operating pressure</b>	0.8 MPa (116 psi)		
<b>Ambient and fluid temperature</b>	-10 to 60°C (14 to 140°F)		
<b>Minimum operating time</b>	1.0 sec. to clamp, 1.0 sec. to unclamp		

For Asia  
CK□1  
CLK2  
C(L)KQ□  
MK2T/MK2/MK

For North America  
CKZ2N

For Europe  
CKZT

For France  
CLKZ1R

Special  
CK□/M(D)JKA



### 3 Unclamped opening angle 15° kit (for change of angle)



- Applicable model  
**CKZ2N50, 63, 80**
- In addition to the standard unclamped opening angle, 15° specification is available.
- Unclamped opening angle can be changed to 15° without disassembling the toggle construction.

#### Cylinder Specifications

Bore size (mm)	50	63	80
<b>Angle</b>	15°		
<b>Cushion</b>	Unclamping side: Rubber bumper		
<b>Maximum operating pressure</b>	0.8 MPa (116 psi)		
<b>Ambient and fluid temperature</b>	-10 to 60°C (14 to 140°F)		
<b>Minimum operating time</b>	1.0 sec. to clamp, 1.0 sec. to unclamp		



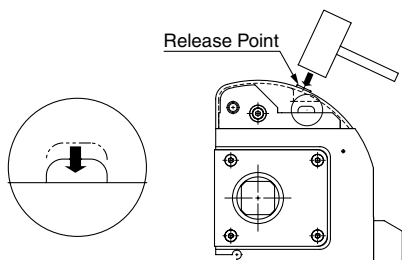
# Series CKZ2N Specific Product Precautions

Be sure to read this before handling. Refer to pages 222 and 223 for Safety Instructions and “Precautions for Handling Pneumatic Devices” (M-03-E3A) for Actuator Precautions.

## 1. Manual toggle release

The toggle link mechanism can be released easily by hitting the portion of round shaped projection on the cover by using of plastic hammer (hammer made of soft material), etc.

Please be sure to perform manual toggle release after safety has been confirmed because the clamp arm can suddenly move up during manual release.



## 2. Do not disassemble the power clamp.

No special maintenance is necessary because the power clamp has a fully enclosed design to protect the clamp against welding spatter, and also the power clamp has a contamination resistant construction. So, please do not disassemble the power clamp except changing replaceable parts as there is a possibility of deterioration of the clamp performance.

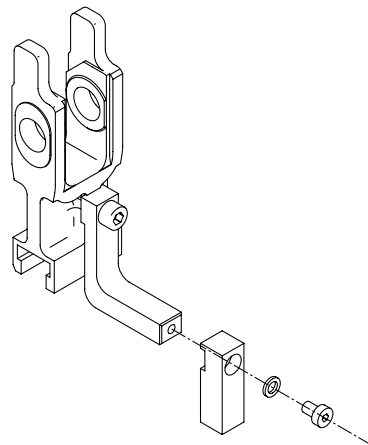
## 3. Tightening torque of spare parts

Please make sure to tighten spare parts recommended in accordance with the following torque show in the table.

Description	Bore size (mm)	Tightening torque	
		N·m	lbf·in
Switch cassette kit	50	5.0 to 7.0	44 to 62
	63	5.0 to 7.0	44 to 62
	80	5.0 to 7.0	44 to 62
Switch actuator kit	50	3.0 to 4.0	27 to 35
	63	3.0 to 4.0	27 to 35
	80	3.0 to 4.0	27 to 35
Stopper bolt kit	50	130 to 150	1150 to 1327
	63	160 to 200	1416 to 1770
	80	480 to 520	4248 to 4600
Top cover kit	50	2.5 to 3.0	22 to 27
	63	2.5 to 3.0	22 to 27
	80	3.0 to 5.0	27 to 44

Note: (1) Please make sure that the switch cassette is tightly secured to the body when it has been replaced with a new one.

(2) Please make sure that the switch actuator is mounted so that the stamped side is secured as shown below if replacing.



## 4. Clamp Arm Tightening Torque

Bore size (mm)	Tightening torque	
	N·m	lbf·in
50	12 to 15	106 to 133
63	15 to 20	133 to 177
80	18 to 24	159 to 212

For Asia: CK□1, CLK2, C(L)KQ□  
 For North America: MK2T/MK2/MK, CKZ2N  
 For Europe: CKZT  
 For France: CLKZ1R  
 Special: CK□/M(D)UKA